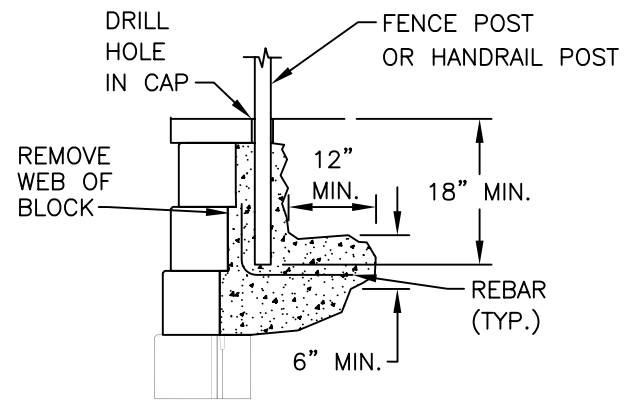


POST DETAIL— PLAN VIEW

TYPICAL HANDRAIL AND/OR FENCE POST  
SCALE: NONE

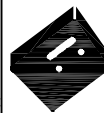


POST DETAIL— SECTION A—A

TYPICAL HANDRAIL AND/OR FENCE POST  
SCALE: NONE

NOT FOR CONSTRUCTION

THESE PRELIMINARY DETAILS ARE INTENDED AS AN AID IN DESIGNING ATTRACTIVE, DURABLE RETAINING WALLS WITH VERSA-LOK STANDARD UNITS. FINAL DETERMINATION OF THE SUITABILITY OF ANY INFORMATION OR MATERIAL FOR THE USE CONTEMPLATED, AND ITS MANNER OF USE, IS THE SOLE RESPONSIBILITY OF THE USER. A FINAL PROJECT SPECIFIC DESIGN SHOULD BE PREPARED BY A QUALIFIED, LICENSED, PROFESSIONAL ENGINEER.



**VERSA-LOK®**  
Retaining Wall Systems

(800)770-4525 fax(651)770-4089  
6348 Hwy36 Ste1, Oakdale, MN 55128 **Solid Solutions™**

SQUARE FOOT DETAILS

POST IN WALL

SCALE:	AS NOTED
DRAWN BY:	PPS
CHECKED BY:	
DATE:	10/04
DWG. NO.	sf post in wall