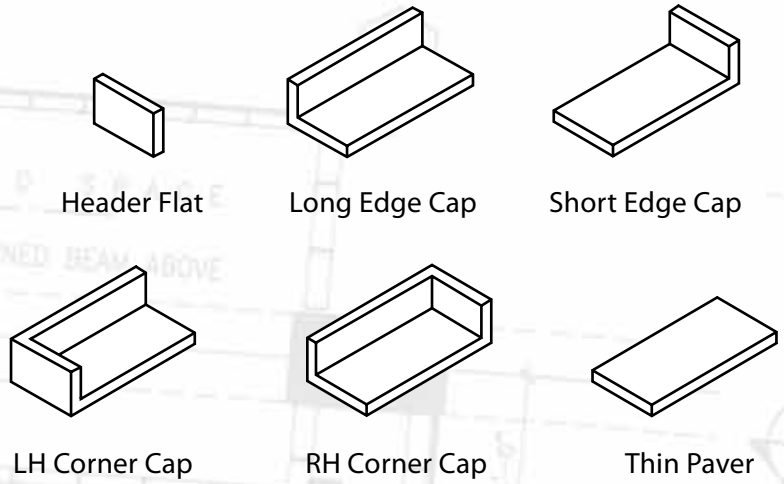
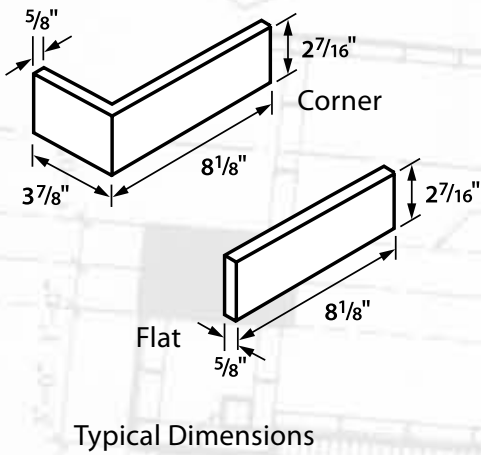


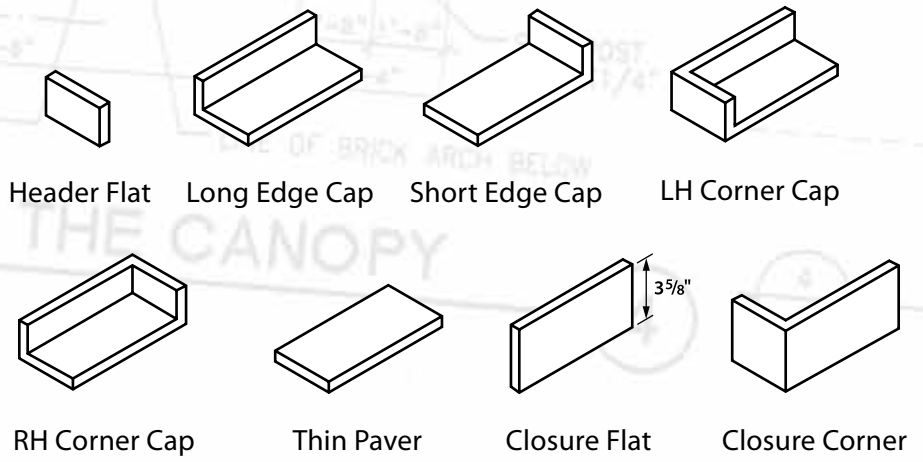
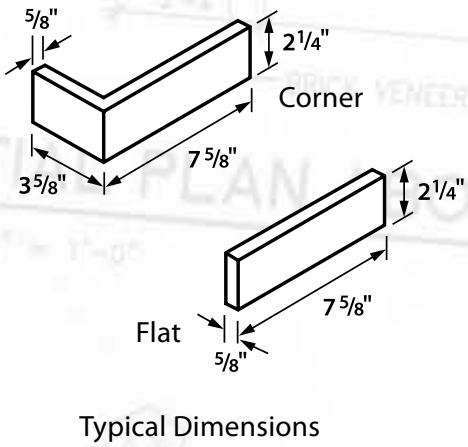


BRICK SIZES & SHAPES

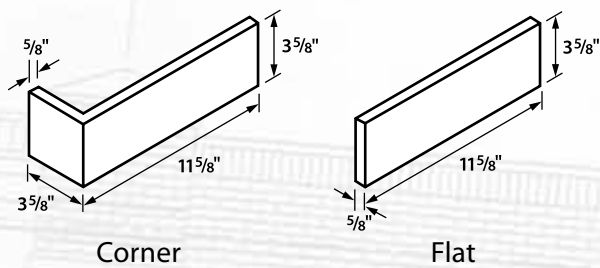
Standard Thin Shapes



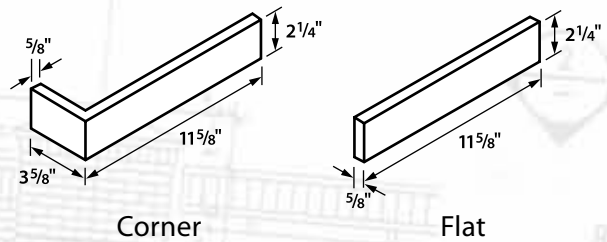
Modular Thin Shapes



Utility Thin Shapes

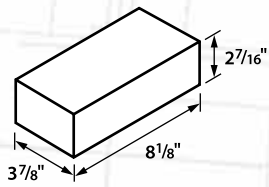


Norman Thin Shapes

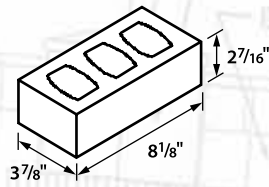




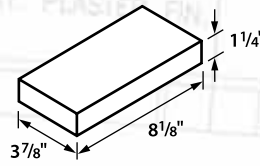
Standard Shapes



Solid

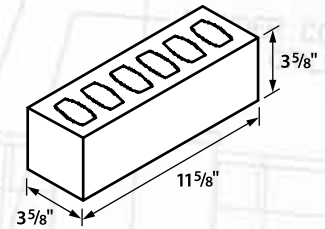


Cored

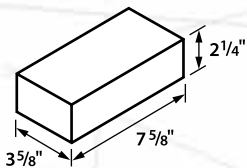


Split

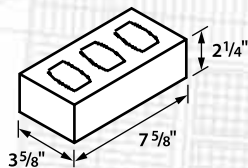
Utility



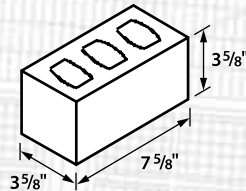
Modular Shapes



Solid

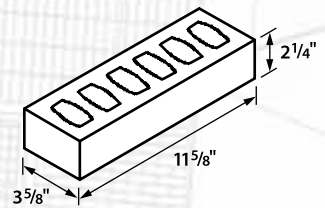


Cored

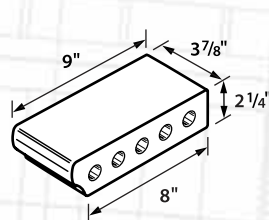


Closure Cored

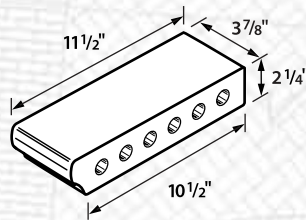
Norman



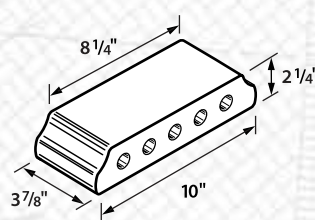
Copings, Caps & Treads



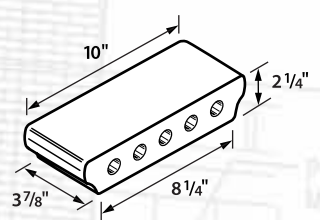
9" Franciscan Edge



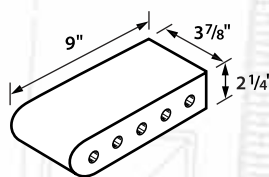
11.5" Franciscan Edge



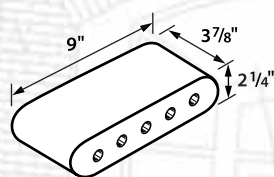
Franciscan Cap



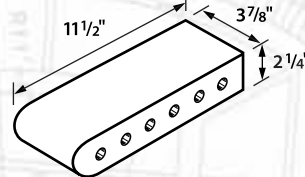
Franciscan Cap (Inverted)



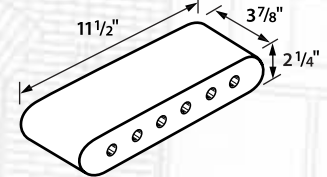
9" Half-Round Edge



9" Half-Round Cap



11.5" Half-Round Edge



11.5" Half-Round Cap

McNear Clay Brick products meet the standards of ASTM C216 and C1088, Grade SW.